



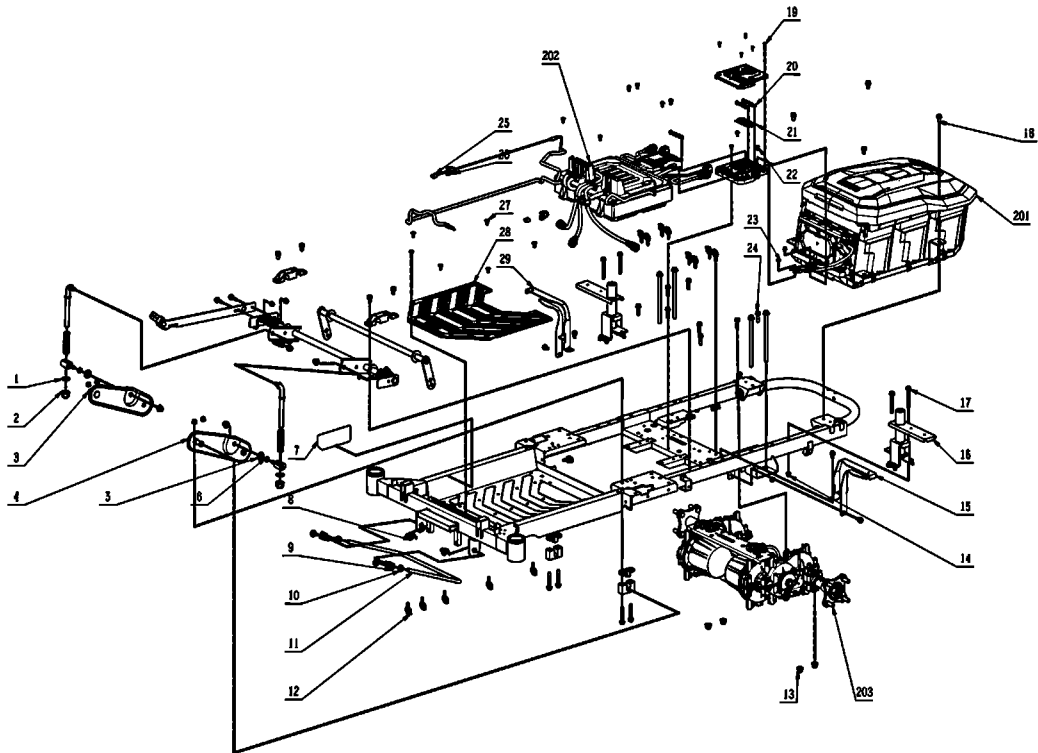
---

Tondeuse Zéro-Turn  
Pièces détachées

ZT5201E-L



Product Description: Zero Turn Riding Mower  
Model Number: ZT5200E-L  
Body Number: 2829400001S01  
Version: A  
Issue Date: 2022/11/25



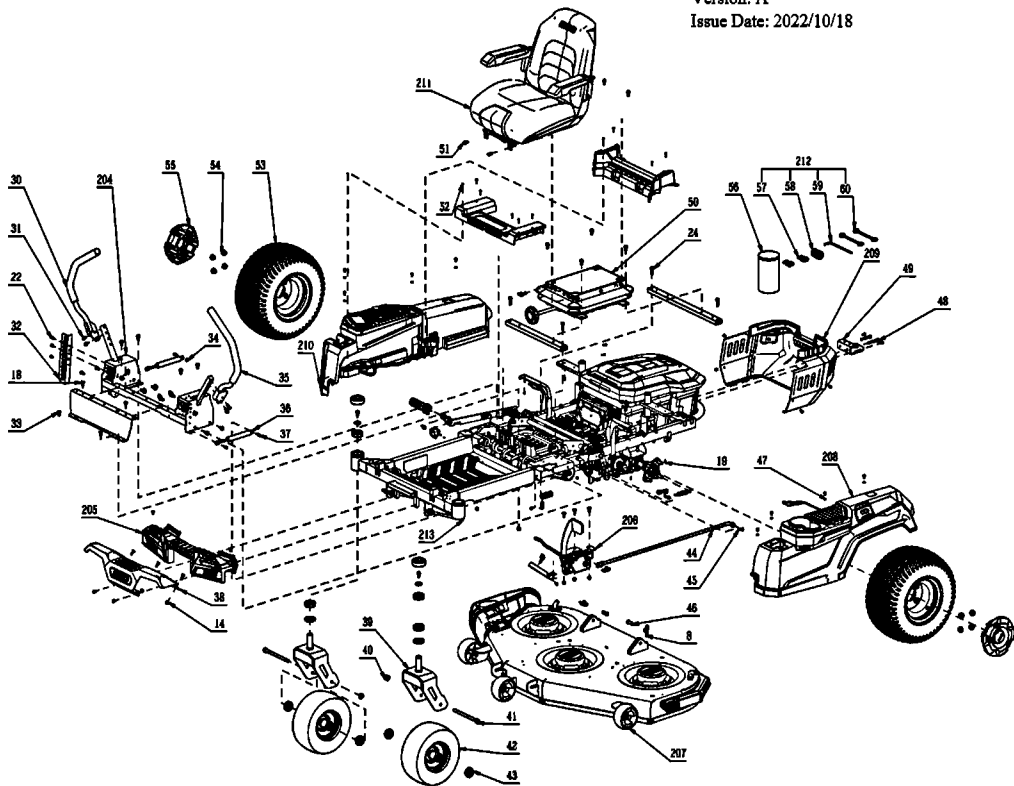
position numb material number description quantity

ZT5201E-L\_001 Vue Générale

1	5640360001	Hexagon Flange Head Thread For	26
3	2827067001	Rocker Assembly	1
4	5630267001	Nut	8
5	2824132001	Lift Shaft Assembly	1
6	5630371001	Prevailing Torque Type Hexagon	18
7	5640354001	Flange Bolt-Large Series	5
8	3707330001	Handle Lever	1
9	2827130001	Connecting Rod Assembly	2
10	3521236001	Support Base	2
11	3707307001	Pressure Plate	2
13	2827074001	Right Lift Arm Assembly	1
15	5650740001	Plain Washer	2
16	5630070003	Nut	4
17	2827075001	Left Lift Arm Assembly	1
18	3131157001	Wire Holder	24
19	3553471001	Connecting Rod Spindle	2
20	5630022004	Hexagon Nut	4
21	5670561001	Split Pin	5
22	3707327001	Hanger Rod	1
23	3707365001	Left Supporting Plate	1
24	2827182001	Support Assembly	2
25	5640363001	Flange Bolt-Large Series	4
26	5620377003	Hexagon Socket Screw	9
27	3131053001	Fuse PCB Box	1
28	5610388001	Hexalobular Socket Thread Form	32
29	5640373001	Hex Serrated Flange Screw	2
30	5620618001	Screw with Washer	12
31	4970355001	Fuse	4
32	2827461001	Base Assembly	1
33	5640355001	Flange Bolt-Large Series	4
34	3131055001	Wire Holder	3
35	3580076001	Rubber Sleeve	3
36	3707366001	Right Supporting Plate	1
37	3131403001	Base Foot	1
38	3131528001	Hook	6
39	2827261001	Left Handle Set	1
40	2827272001	Right Handle Set	1
41	5640222001	Hexagon Flange Bolt	6
42	3707328001	Depth Stop Plate	1
43	5640358001	Small Round Head Bolt	8
44	3707339001	Baffle	1
45	2827464002	Footrest Pedal Assembly	1
46	3130955001	Upper Dust Cover	2
47	5650739001	Larger Washer	2
48	5700402001	Deep Groove Ball Bearing	4
49	5690493001	Seal Ring	2
50	2827052001	Front Wheel Bracket Assembly	2
51	5640356001	Hexagon Head Bolt	2
52	3130956001	Bearing Cover	4
53	2827184002	Front Wheel Set	2
54	3707333001	Fixing Board	2
55	3660808001	Compression Spring	2
56	2827147001	Damper	2
57	5640350001	Hexagon Head Bolt	4
58	2827083001	Connecting Rod Assembly	1
59	5670553001	Pin Shaft	2
60	5670563001	R Pin	3
61	2827086001	Rear Connecting Rod Set	2

62	3660793001	Tension Spring	2
63	5650016007	Plain Washer	8
64	2827185002	Rear Wheel Set	2
65	5630372001	Conical Nut	8
66	3131306001	Rear Hubcap	2
67	5640353001	Flange Bolt-Large Series	2
68	3707449001	Hitch	1
69	5620021004	Hexagon Socket Screw	4
70	5620453003	Tapping Screw	8
71	2827209001	Shock Absorber	1
72	3130957001	Rear Cover	1
73	3130950001	Lid Case	1
74	5640361001	Hexagon Flange Head Thread For	12
75	3707397001	Base	1
76	3707398001	Beam Bottom Support	1
77	5630244004	Nut	2
78	3403156001	Adjusting Handle	1
79	3131251001	Handle Cover	1
80	5610010003	Tapping Screw	2
81	5970136002	Grease	1
82	5680137001	Combination Wrench	2
83	5680145001	Hexagon Socket Screw Key	1
84	2823689001	Quick Connect Coupling	1
85	2827673001	Key Assembly	2
86	5690532001	Seal Ring	1
87	5650909001	Plain Washer	1
88	3708360001	Bracket	1
89	2827562002	Mulch Plug Assembly	1
201	2831223001	BMS Electric Assembly	1
202	2831222001	Control Electric Assembly	1
203	2827266001	Drive Train Assembly	1
204	2827267002	Control Assembly	1
205	2827044001	Front Frame Assembly	1
206	2827245002	Parking Assembly	1
207	2827360002	Deck Unit	1
208	2827406002	Left Cover Assembly	1
209	2827270002	Rear Guard Assembly	1
210	2827431002	Right Cover Assembly	1
211	2827269001	Damping Seat Assembly	1
212	2521079001	Accessory Box	1
214	2824471001	Lift Shaft Assembly	1

Product Description: Zero Turn Riding Mower  
Model Number: ZT5200E-L  
Body Number: 1000057001S01  
Version: A  
Issue Date: 2022/10/18



position numb material number description quantity

ZT5201E-L\_001 Vue Générale

1	5640360001	Hexagon Flange Head Thread For	26
3	2827067001	Rocker Assembly	1
4	5630267001	Nut	8
5	2824132001	Lift Shaft Assembly	1
6	5630371001	Prevailing Torque Type Hexagon	18
7	5640354001	Flange Bolt-Large Series	5
8	3707330001	Handle Lever	1
9	2827130001	Connecting Rod Assembly	2
10	3521236001	Support Base	2
11	3707307001	Pressure Plate	2
13	2827074001	Right Lift Arm Assembly	1
15	5650740001	Plain Washer	2
16	5630070003	Nut	4
17	2827075001	Left Lift Arm Assembly	1
18	3131157001	Wire Holder	24
19	3553471001	Connecting Rod Spindle	2
20	5630022004	Hexagon Nut	4
21	5670561001	Split Pin	5
22	3707327001	Hanger Rod	1
23	3707365001	Left Supporting Plate	1
24	2827182001	Support Assembly	2
25	5640363001	Flange Bolt-Large Series	4
26	5620377003	Hexagon Socket Screw	9
27	3131053001	Fuse PCB Box	1
28	5610388001	Hexalobular Socket Thread Form	32
29	5640373001	Hex Serrated Flange Screw	2
30	5620618001	Screw with Washer	12
31	4970355001	Fuse	4
32	2827461001	Base Assembly	1
33	5640355001	Flange Bolt-Large Series	4
34	3131055001	Wire Holder	3
35	3580076001	Rubber Sleeve	3
36	3707366001	Right Supporting Plate	1
37	3131403001	Base Foot	1
38	3131528001	Hook	6
39	2827261001	Left Handle Set	1
40	2827272001	Right Handle Set	1
41	5640222001	Hexagon Flange Bolt	6
42	3707328001	Depth Stop Plate	1
43	5640358001	Small Round Head Bolt	8
44	3707339001	Baffle	1
45	2827464002	Footrest Pedal Assembly	1
46	3130955001	Upper Dust Cover	2
47	5650739001	Larger Washer	2
48	5700402001	Deep Groove Ball Bearing	4
49	5690493001	Seal Ring	2
50	2827052001	Front Wheel Bracket Assembly	2
51	5640356001	Hexagon Head Bolt	2
52	3130956001	Bearing Cover	4
53	2827184002	Front Wheel Set	2
54	3707333001	Fixing Board	2
55	3660808001	Compression Spring	2
56	2827147001	Damper	2
57	5640350001	Hexagon Head Bolt	4
58	2827083001	Connecting Rod Assembly	1
59	5670553001	Pin Shaft	2
60	5670563001	R Pin	3
61	2827086001	Rear Connecting Rod Set	2

62	3660793001	Tension Spring	2
63	5650016007	Plain Washer	8
64	2827185002	Rear Wheel Set	2
65	5630372001	Conical Nut	8
66	3131306001	Rear Hubcap	2
67	5640353001	Flange Bolt-Large Series	2
68	3707449001	Hitch	1
69	5620021004	Hexagon Socket Screw	4
70	5620453003	Tapping Screw	8
71	2827209001	Shock Absorber	1
72	3130957001	Rear Cover	1
73	3130950001	Lid Case	1
74	5640361001	Hexagon Flange Head Thread For	12
75	3707397001	Base	1
76	3707398001	Beam Bottom Support	1
77	5630244004	Nut	2
78	3403156001	Adjusting Handle	1
79	3131251001	Handle Cover	1
80	5610010003	Tapping Screw	2
81	5970136002	Grease	1
82	5680137001	Combination Wrench	2
83	5680145001	Hexagon Socket Screw Key	1
84	2823689001	Quick Connect Coupling	1
85	2827673001	Key Assembly	2
86	5690532001	Seal Ring	1
87	5650909001	Plain Washer	1
88	3708360001	Bracket	1
89	2827562002	Mulch Plug Assembly	1
201	2831223001	BMS Electric Assembly	1
202	2831222001	Control Electric Assembly	1
203	2827266001	Drive Train Assembly	1
204	2827267002	Control Assembly	1
205	2827044001	Front Frame Assembly	1
206	2827245002	Parking Assembly	1
207	2827360002	Deck Unit	1
208	2827406002	Left Cover Assembly	1
209	2827270002	Rear Guard Assembly	1
210	2827431002	Right Cover Assembly	1
211	2827269001	Damping Seat Assembly	1
212	2521079001	Accessory Box	1
214	2824471001	Lift Shaft Assembly	1



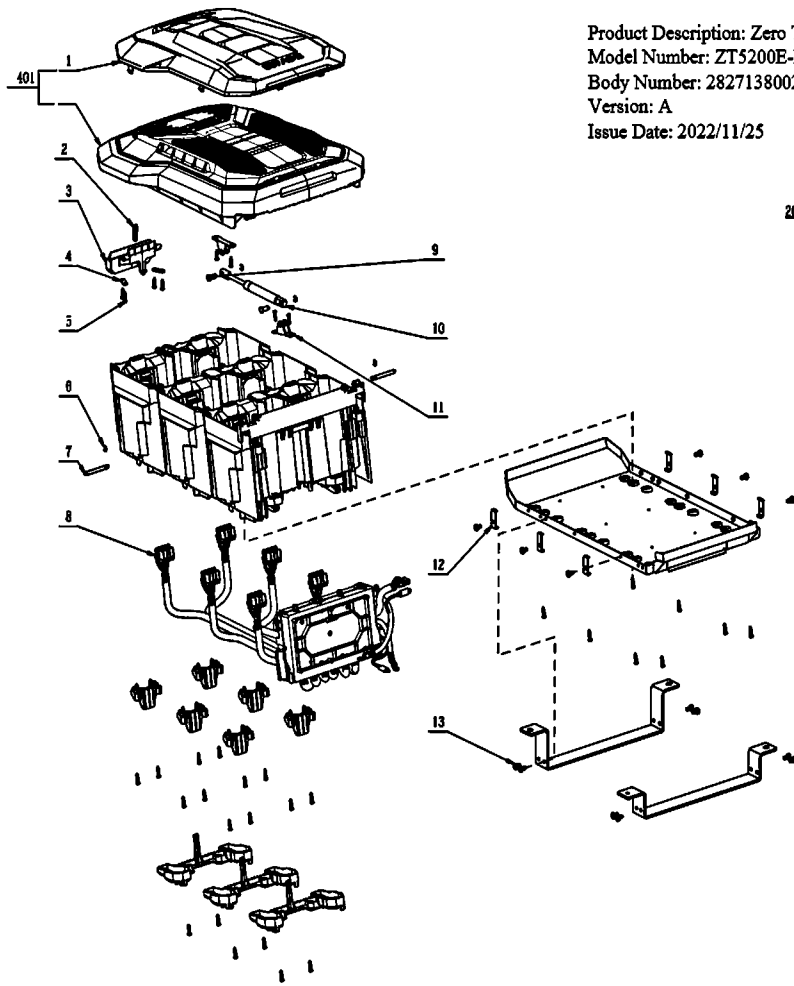
Product Description: Zero Turn Riding Mower

Model Number: ZT5200E-L

Body Number: 2827138002S02

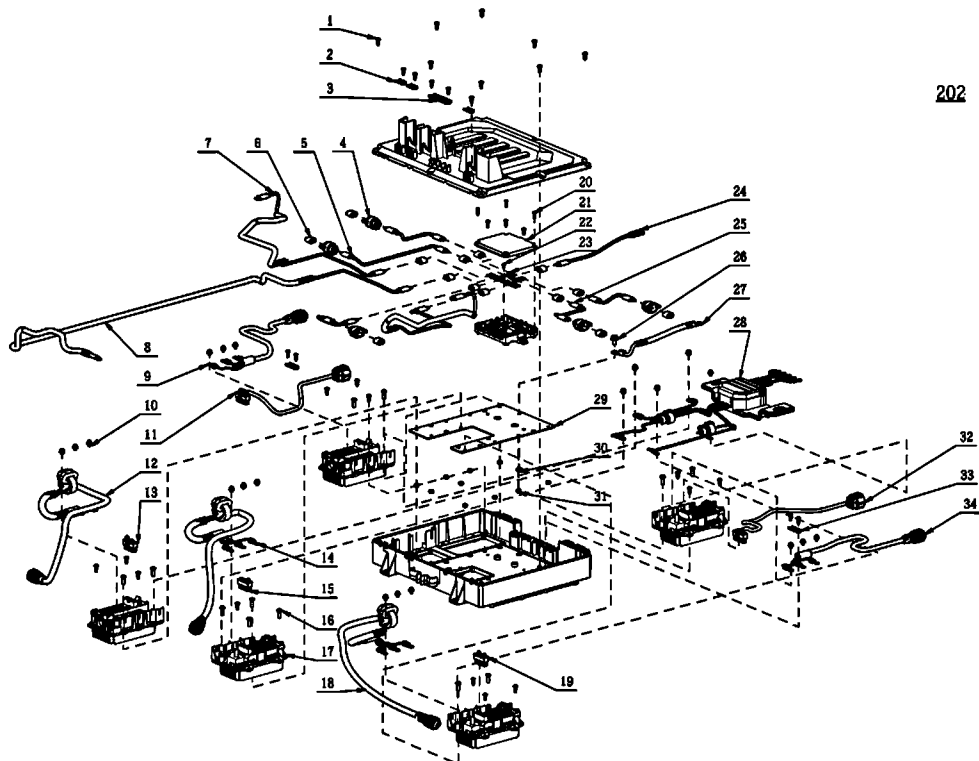
Version: A

Issue Date: 2022/11/25





202



position numb	material number	description	quantity
	ZT5201E-L_004	PCB Box	
1	4860791001	Type-C Male-female Wire	1
2	3131055001	Wire Holder	4
3	3580076001	Rubber Sleeve	12
4	4860792004	Type-C Male-male Wire	3
5	4860785001	Motor Wiring Harness	1
6	3131036001	Close Cover	1
7	5620377003	Hexagon Socket Screw	27
8	3700367001	Cord Anchorage	1
9	4861056001	Motor Wire Harness	2
10	5610305002	Tapping Screw	4
11	5610021001	Tapping Screw	1
12	4891968001	Connecting PCBA	1
13	3900369002	PCB Box	1
14	4860797001	Type-C Male-male Wire	1
15	4860797002	Type-C Male-male Wire	2
16	4860792003	Type-C Male-male Wire	1
17	4860786001	Motor Wiring Harness	1
18	4861056002	Motor Wire Harness	2
19	5630006003	Prevailing Torque Hexagon Nut	8
20	3707400001	Base Plate	1
21	5630015001	Prevailing Torque Hexagon Nut	1
22	5640373001	Hex Serrated Flange Screw	1
23	4860768001	Host Power Wire Harness	1
24	2831221001	Control Electric Assembly	4
25	5620618001	Screw with Washer	16
26	5620051009	Screw	8
27	4860793001	Host Power Wire Harness	1
28	4860788001	Wire Harness	1
29	4860793002	Host Power Wire Harness	1
30	4860789001	Wire Harness	1
31	3707407001	Cord Anchorage	3

Product Description: Zero Turn Riding Mower

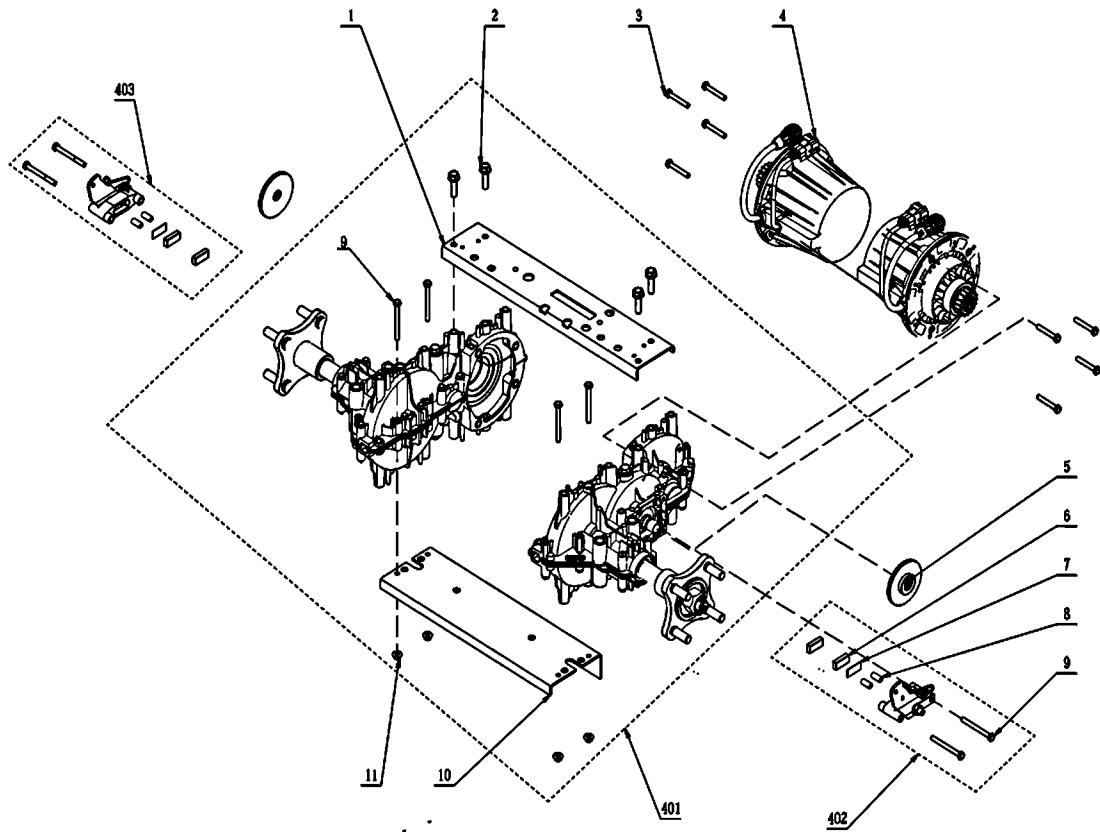
Model Number: ZT5200E-L

Body Number: 2827266001S01

Version: A

Issue Date: 2022/11/25

203



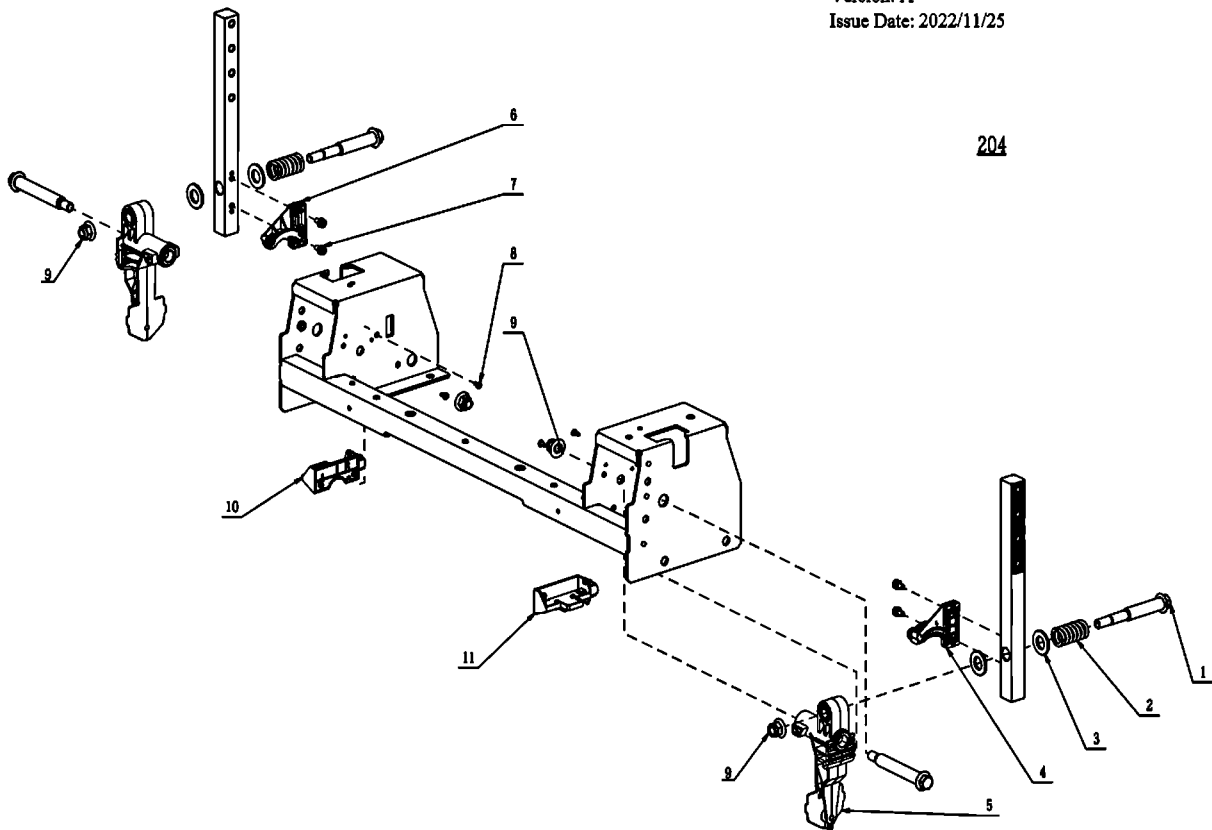
position numb material number description quantity

ZT5201E-L\_005 Moteurs de Roues

position numb	material number	description	quantity
1	3707424001	Connecting Plate	1
2	5640361001	Hexagon Flange Head Thread For	4
3	5640247002	Hexagon Head Bolt	8
4	2730318001	DC Motor	2
5	3553570001	Brake Disc	2
6	3521235001	Friction Block	4
7	3707277001	Scaleboard	2
8	5670552001	Parallel Pin	4
9	5640009003	Hexagon Head Bolt	8
10	3707423001	Connecting Plate	1
11	5630244004	Nut	4
401	2827439002	Gear Case Assembly	1
402	2827528002	Right Bracket Assembly	1
403	2827525002	Left Bracket Assembly	1

Product Description: Zero Turn Riding Mower  
Model Number: ZT5200E-L  
Body Number: 2829451001S01  
Version: A  
Issue Date: 2022/11/25

204



position numb material number description quantity

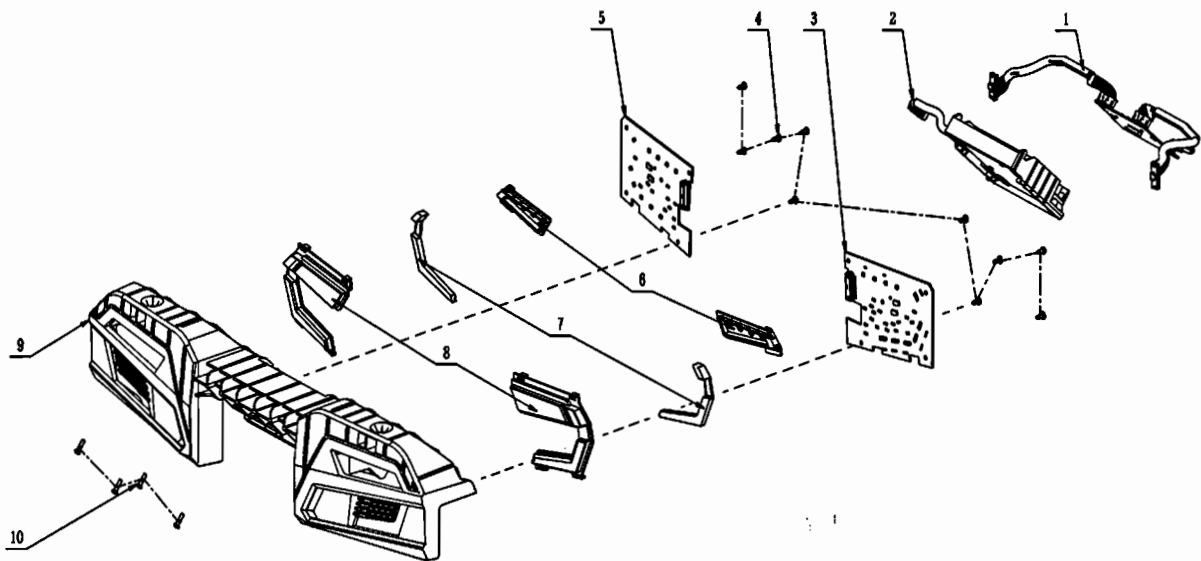
ZT5201E-L\_006 Manettes

position numb	material number	description	quantity
1	5640351001	Hexagon Flange Head Screw with	2
2	3660807001	Compression Spring	2
3	5650740001	Plain Washer	2
4	3707358001	Joystick	2
5	5650741001	Plain Washer	2
6	5640349001	Shoulder Bolt	2
7	2827703001	Rotating Lever	2
8	5630267001	Nut	4
9	2827260001	Left Hall PCB Box	1
10	5610021001	Tapping Screw	4
11	2827705002	Magnetic Holder Assembly	1
12	5620352002	Screw with Washer	4
13	2827704002	Magnetic Holder Assembly	1
14	2827259001	Right Hall PCB Box	1



Product Description: Zero Turn Riding Mower  
Model Number: ZT5200E-L  
Body Number: 2829473001S01  
Version: A  
Issue Date: 2022/11/25

205



position numb material number description quantity

ZT5201E-L\_007 Façade Avant

position numb	material number	description	quantity
1	4860770001	Lamp Wire Harness	2
2	2827291002	Control Box Assembly	1
3	4891966002	LED PCBA	1
4	5610021001	Tapping Screw	10
5	4891967002	LED PCBA	1
6	3900346002	Transparent Cap Assembly	1
7	3900344002	Transparent Guard Assembly	1
8	3900345002	Transparent Guard Assembly	1
9	3130877001	Front Frame	1
10	5610305002	Tapping Screw	4

Product Description: Zero Turn Riding Mower

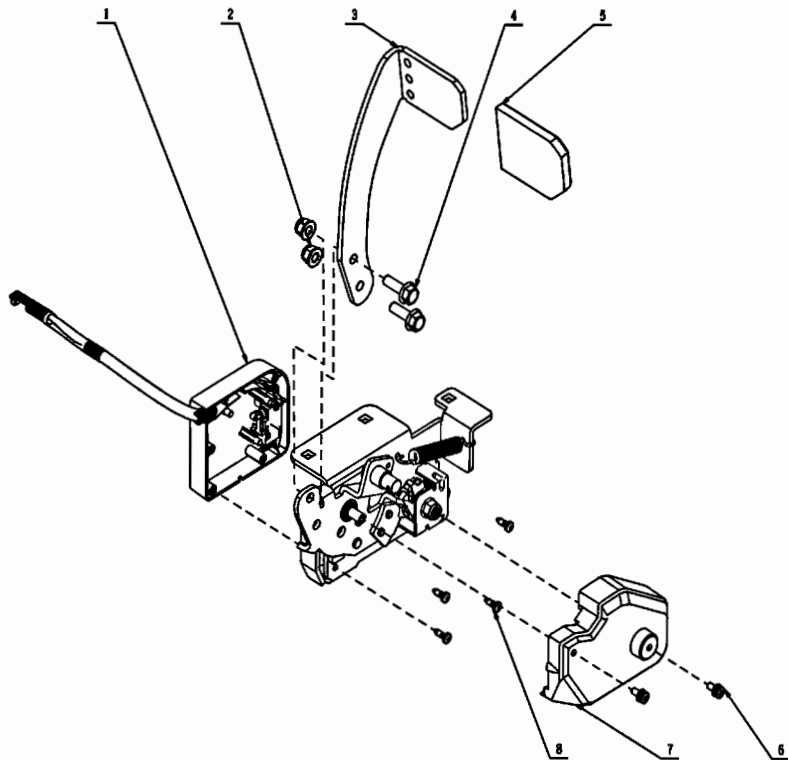
Model Number: ZT5200E-L

Body Number: 2827245002S01

Version: A

Issue Date: 2022/11/25

228





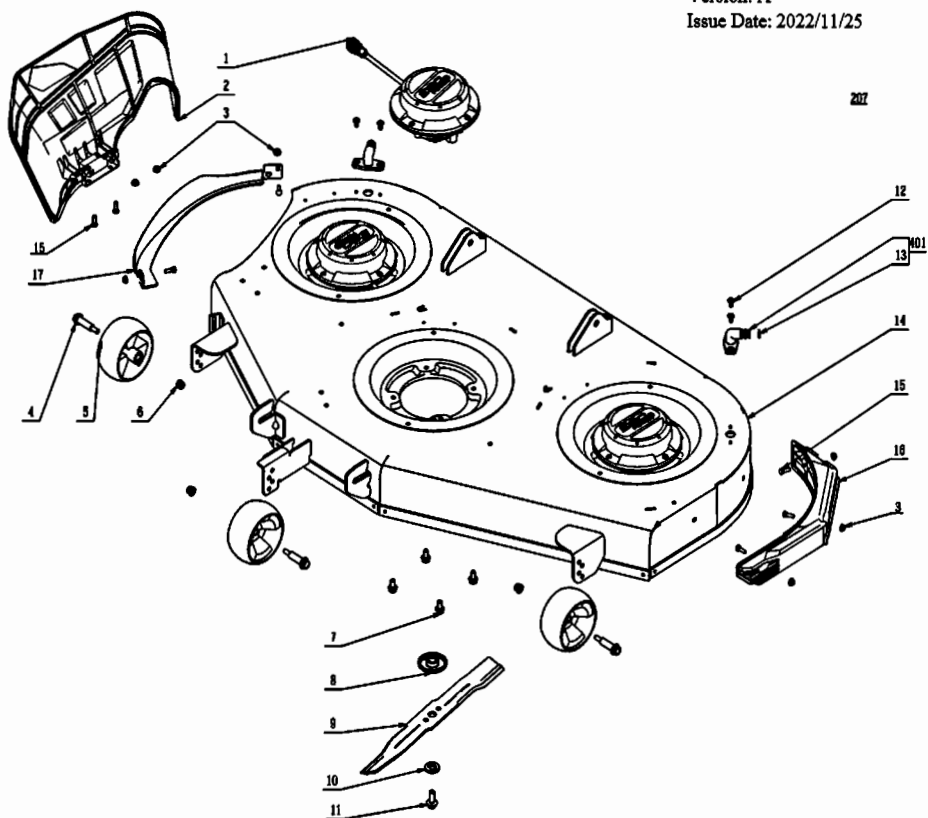
Product Description: Zero Turn Riding Mower

Model Number: ZT5200E-L

Body Number: 2824284001S01

Version: A

Issue Date: 2022/11/25

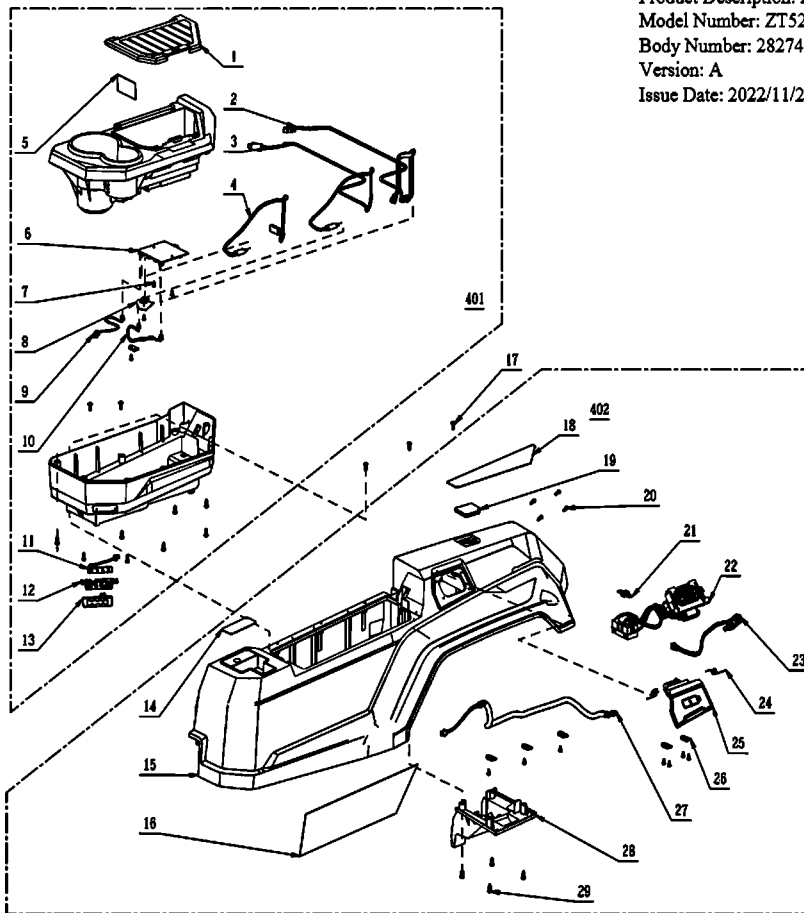


position numb material number description quantity  
 ZT5201E-L\_009 Plateau de Coupe

1	2730319001	DC Motor	2
2	2823670002	Chute Deflector Assembly	1
3	5630244004	Nut	5
4	5640352001	Hexagon Flange Bolt	2
5	3131072001	Roller Wheel	2
6	5630371001	Prevailing Torque Type Hexagon	2
7	5640222001	Hexagon Flange Bolt	8
8	3580113001	Flange	2
9	3707399001	Blade	2
9	AB4200	Universal blade (general purpose)	2
9	AB4201	High lift blade (bagging)	0
10	5650510001	Washer	2
11	5640226001	Flange Bolt	2
12	5610388001	Hexalobular Socket Thread Form	2
13	5690141001	O Ring	1
14	2827070001	Deck Unit	1
15	5640357001	Semicircular Head Square Neck B	5
16	3131048001	Baffle Strip	1
401	2823718002	Outlet Nozzle Assembly	1

Product Description: Zero Turn Riding Mower  
Model Number: ZT5200E-L  
Body Number: 2827406003S01  
Version: A  
Issue Date: 2022/11/25

208



position numb material number description quantity  
 ZT5201E-L\_010 PCBA-USB

1	3403155001	Storage Box Overturn	1
2	4860775001	Wiring Harness	1
3	4860792001	Type-C Male-male Wire	1
4	4860791003	Type-C Male-female Wire	1
5	4891973002	USB PCBA	1
6	4860773001	Wiring Harness	1
7	3700367001	Cord Anchorage	6
8	4891964001	USB PCBA	1
9	5610021001	Tapping Screw	11
10	4860774001	USB Cable	1
11	5620377003	Hexagon Socket Screw	18
12	2830790001	LED Electric Assembly	1
13	3131122001	LED Holder	1
14	3131076001	LED Cover	1
15	3131104001	Left Cover Plate	1
16	5610305002	Tapping Screw	4
17	4970354001	Fuse	1
18	4870766001	Switch Assembly	1
19	4860796001	Charging Harness Assembly	1
20	4860771001	Wiring Harness	1
21	3660810001	Torsion Spring	2
22	3131010001	Charging Port Cover	1
23	3131007001	Lower Housing	1
401	2827407002	Storage Box Assembly	1
402	2827462002	Left Cover Set	1



Product Description: Zero Turn Riding Mower

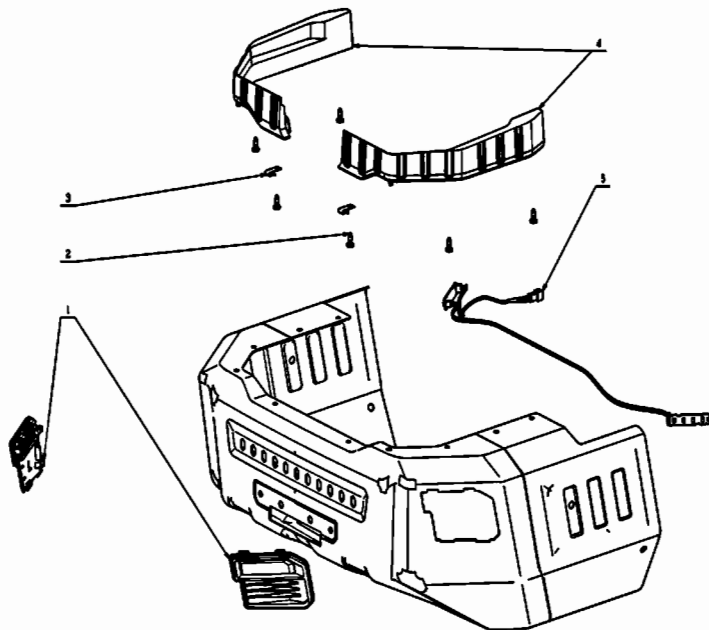
Model Number: ZT5200E-L

Body Number: 2827270002S01

Version: A

Issue Date: 2022/11/25

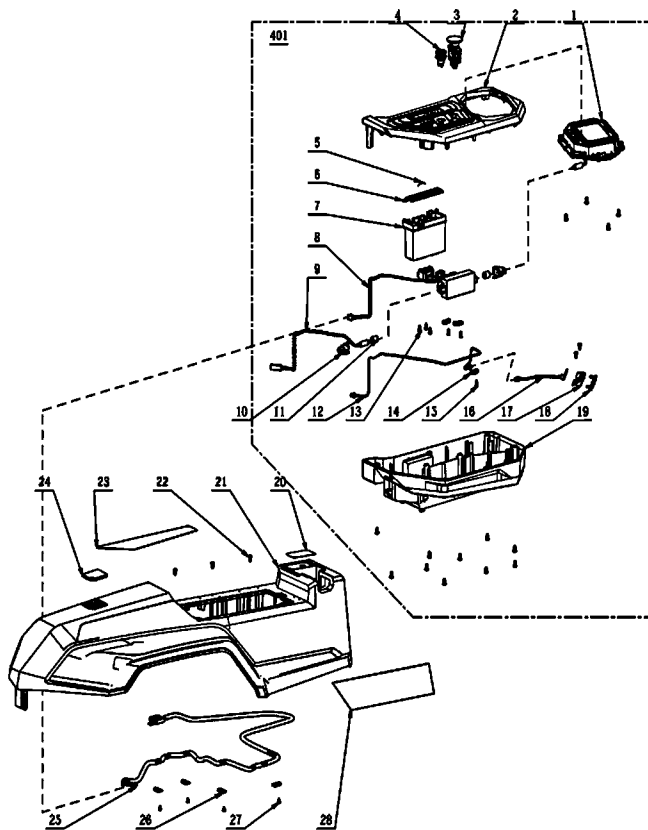
282





Product Description: Zero Turn Riding Mower  
Model Number: ZT5200E-L  
Body Number: 2827431003S01  
Version: A  
Issue Date: 2022/11/25

210

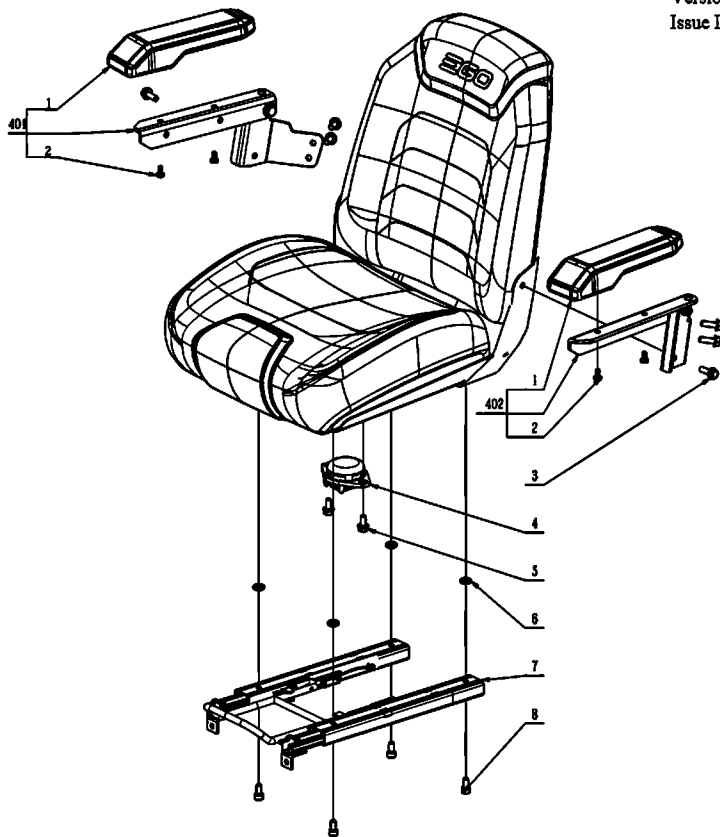


position numb material number description quantity

ZT5201E-L\_012 Tableau de Bord

1	5610021001	Tapping Screw	4
2	3700367001	Cord Anchorage	4
3	4860777001	Wiring Harness	1
4	3130904001	Right Cover	1
5	3131105001	Right Cover Plate	1
6	4860791002	Type-C Male-female Wire	1
7	5620377003	Hexagon Socket Screw	22
8	3131078001	Phone Box	1
9	3660812001	Torsion Spring	1
10	3322835001	Phone Box Cover	1
11	4870764001	Push Switch	1
12	4870762001	Push Switch	1
13	3130995001	Control Panel	1
14	2827438001	LCD Assembly	1
15	3131055001	Wire Holder	2
16	3580076001	Rubber Sleeve	2
17	2830779001	Switch Electric Assembly	1
18	3122798001	Cord Anchorage	3
19	5610305002	Tapping Screw	3
20	4860782001	Wiring Harness	1
21	3130996001	Control Box Base	1
22	3131076001	LED Cover	1
23	3131077001	LED Holder	1
24	2830790001	LED Electric Assembly	1
401	2827437001	Control Box Assembly	1

Product Description: Zero Turn Riding Mower  
Model Number: ZT5200E-L  
Body Number: 2827269001S01  
Version: A  
Issue Date: 2022/11/25



position numb material number description quantity

ZT5201E-L\_013 Siège

1	3402283001	Armrest	2
2	5610388001	Hexalobular Socket Thread Form	4
3	5640354001	Flange Bolt-Large Series	6
4	4870579001	Switch Assembly	1
5	5640222001	Hexagon Flange Bolt	2
6	3550110002	Washer	4
7	2827473001	Guide Rail Assembly	1
8	5620021004	Hexagon Socket Screw	4
401	2827759001	Right Armrest Assembly	1
402	2827760001	Left Armrest Assembly	1





ISEKI France S.A.S - ZAC des Ribes  
27, avenue des frères Montgolfier - CS 20024  
63178 Aubière Cedex  
Tél. 04 73 91 93 51  
E-mail : [info@iseki.fr](mailto:info@iseki.fr) - [www.iseki.fr](http://www.iseki.fr)