



**Tondeuse Zéro-Turn à Volant
Pièces détachées**

ZT4201E-S

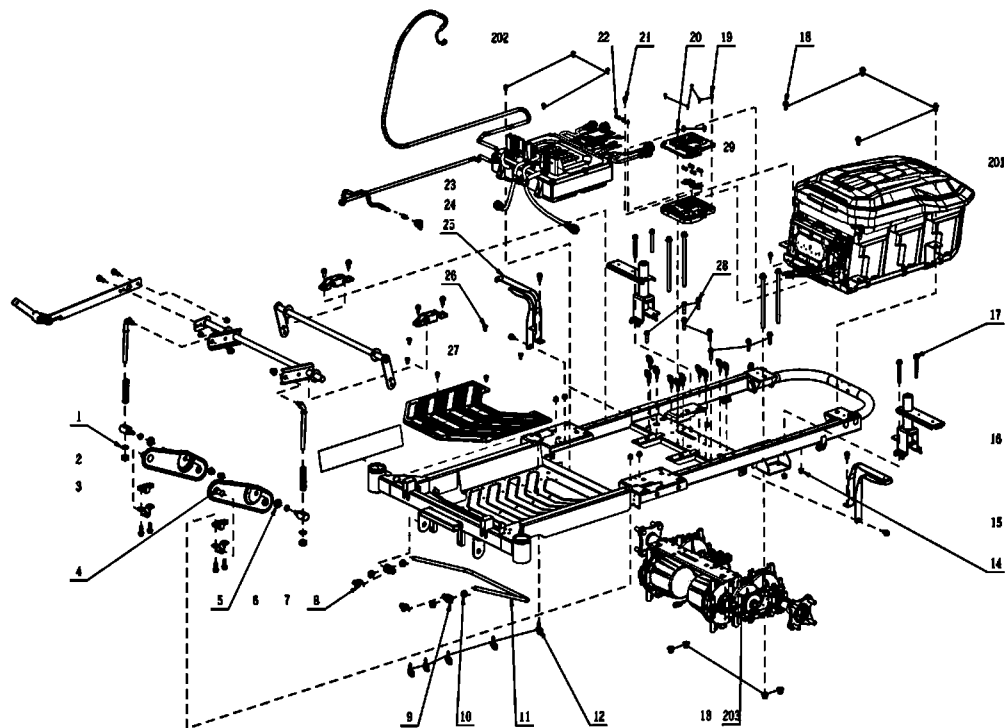
Product Description: Zero Turn Riding Mower

Model Number: ZT4200E-S

Body Number: 2829485001

Version: A

Issue Date: 2022/08/10



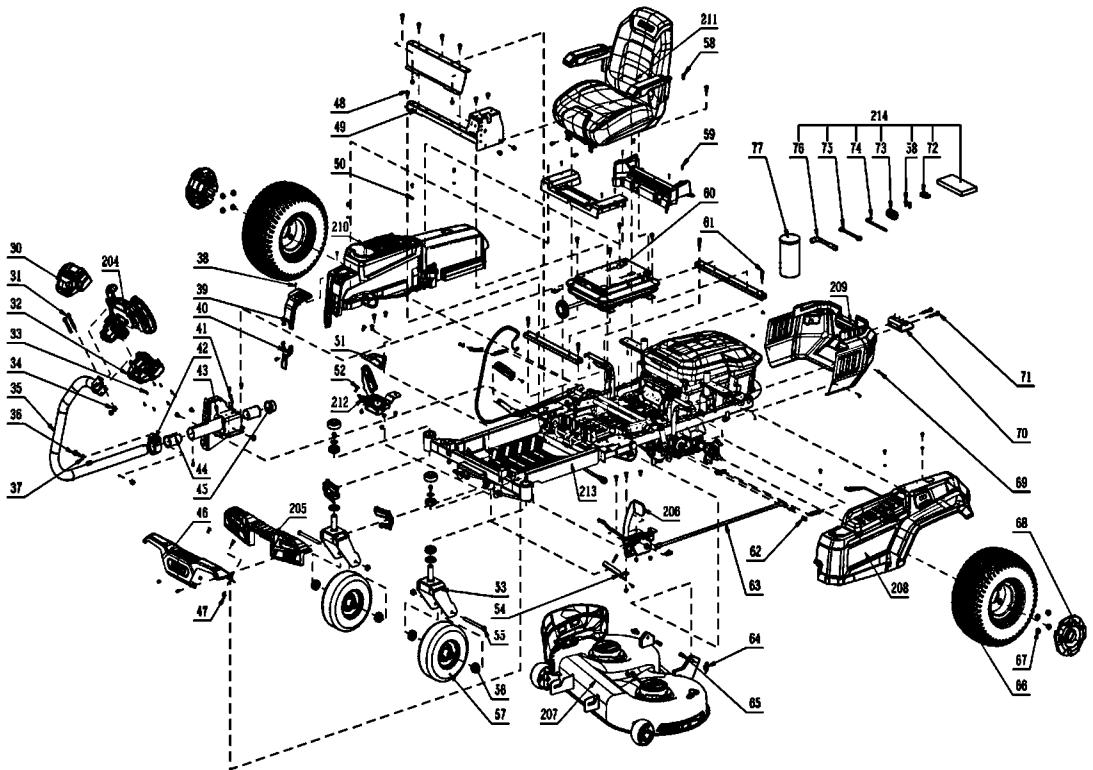
position numb material number description quantity

ZT4201-S_001 Vue Générale

position numb	material number	description	quantity
1	5640360001	Hexagon Flange Head Thread Forming S	26
3	2827067001	Rocker Assembly	1
4	5630267001	Nut	8
5	2824132001	Lift Shaft Assembly	1
6	5630371001	Torque Type Hexagon Lock Nut w	18
7	5640354001	Flange Bolt-Large Series	5
8	3707330001	Handle Lever	1
9	2827130001	Connecting Rod Assembly	2
10	3521236001	Support Base	2
11	3707307001	Pressure Plate	2
13	2827074001	Right Lift Arm Assembly	1
15	5650740001	Plain Washer	2
16	5630070003	Nut	4
17	2827075001	Left Lift Arm Assembly	1
18	3131157001	Wire Holder	24
19	3553471001	Connecting Rod Spindle	2
20	5630022004	Hexagon Nut	4
21	5670561001	Split Pin	5
22	3707327001	Hanger Rod	1
23	3707365001	Left Supporting Plate	1
24	2827182001	Support Assembly	2
25	5640363001	Flange Bolt-Large Series	4
26	5620377003	Hexagon Socket Screw	9
27	3131053001	Fuse PCB Box	1
28	5610388001	Globular Socket Thread Forming S	32
29	5640373001	Hex Serrated Flange Screw	2
30	5620618001	Screw with Washer	12
31	4970355001	Fuse	4
32	2827461001	Base Assembly	1
33	5640355001	Flange Bolt-Large Series	4
34	3131055001	Wire Holder	3
35	3580076001	Rubber Sleeve	3
36	3707366001	Right Supporting Plate	1
37	3131403001	Base Foot	1
38	3131528001	Hook	6
39	2827261001	Left Handle Set	1
40	2827272001	Right Handle Set	1
41	5640222001	Hexagon Flange Bolt	6
42	3707328001	Depth Stop Plate	1
43	5640358001	Small Round Head Low Square Neck Bolt	8
44	3707339001	Baffle	1
45	2827464002	Footrest Pedal Assembly	1
46	3130955001	Upper Dust Cover	2
47	5650739001	Larger Washer	2
48	5700402001	Deep Groove Ball Bearing	4
49	5690493001	Seal Ring	2
50	2827052001	Front Wheel Bracket Assembly	2
51	5640356001	Hexagon Head Bolt	2
52	3130956001	Bearing Cover	4
53	2827184002	Front Wheel Set	2
54	3707333001	Fixing Board	2
55	3660808001	Compression Spring	2
56	2827147001	Damper	2
57	5640350001	Hexagon Head Bolt	4
58	2827083001	Connecting Rod Assembly	1
59	5670553001	Pin Shaft	2

60	5670563001	R Pin	3
61	2827086001	Rear Connecting Rod Set	2
62	3660793001	Tension Spring	2
63	5650016007	Plain Washer	8
64	2827185002	Rear Wheel Set	2
65	5630372001	Conical Nut	8
66	3131306001	Rear Hubcap	2
67	5640353001	Flange Bolt-Large Series	2
68	3707449001	Hitch	1
69	5620021004	Hexagon Socket Screw	4
70	5620453003	Tapping Screw	8
71	2827209001	Shock Absorber	1
72	3130957001	Rear Cover	1
73	3130950001	Lid Case	1
74	5640361001	3on Flange Head Thread Forming !	12
75	3707397001	Base	1
76	3707398001	Beam Bottom Support	1
77	5630244004	Nut	2
78	3403156001	Adjusting Handle	1
79	3131251001	Handle Cover	1
80	5610010003	Tapping Screw	2
81	5970136002	Grease	1
82	5680137001	Combination Wrench	2
83	5680145001	Hexagon Socket Screw Key	1
84	2823689001	Quick Connect Coupling	1
85	2827673001	Key Assembly	2
86	5690532001	Seal Ring	1
87	5650909001	Plain Washer	1
88	3708360001	Bracket	1
89	2827562002	Mulch Plug Assembly	1
201	2831223001	BMS Electric Assembly	1
202	2831222001	Control Electric Assembly	1
203	2827266001	Drive Train Assembly	1
204	2827267002	Control Assembly	1
205	2827044001	Front Frame Assembly	1
206	2827245002	Parking Assembly	1
207	2827360002	Deck Unit	1
208	2827406002	Left Cover Assembly	1
209	2827270002	Rear Guard Assembly	1
210	2827431002	Right Cover Assembly	1
211	2827269001	Damping Seat Assembly	1
212	2521079001	Accessory Box	1
214	2824471001	Lift Shaft Assembly	1

Product Description: Zero Turn Riding Mower
Model Number: ZT4200E-S
Body Number: 1000058001
Version: A
Issue Date: 2022/08/10



position numb material number description quantity

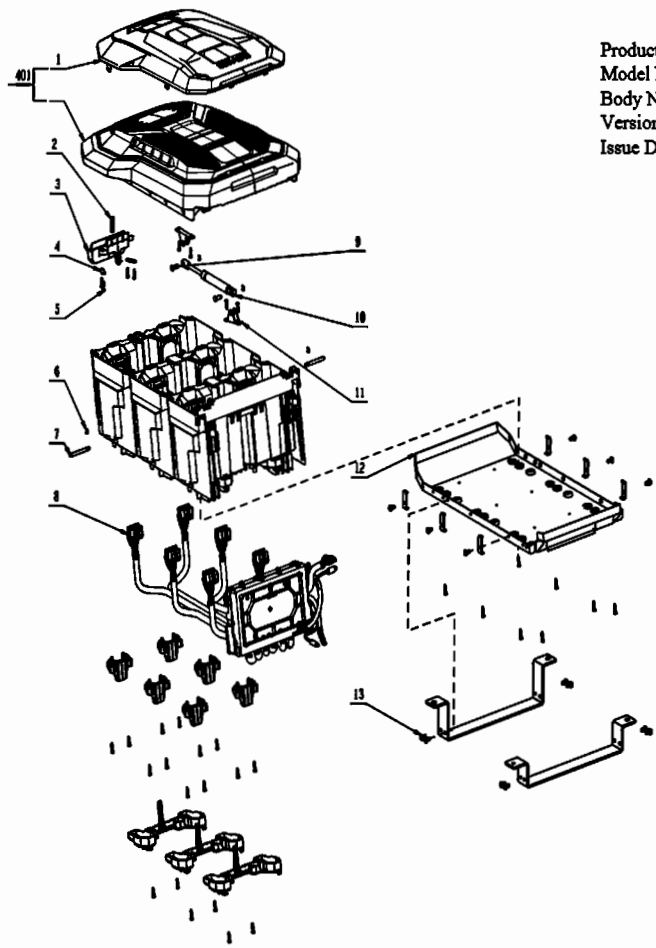
ZT4201-S_001 Vue Générale

position numb	material number	description	quantity
1	5640360001	Hexagon Flange Head Thread Forming S	26
3	2827067001	Rocker Assembly	1
4	5630267001	Nut	8
5	2824132001	Lift Shaft Assembly	1
6	5630371001	Torque Type Hexagon Lock Nut w	18
7	5640354001	Flange Bolt-Large Series	5
8	3707330001	Handle Lever	1
9	2827130001	Connecting Rod Assembly	2
10	3521236001	Support Base	2
11	3707307001	Pressure Plate	2
13	2827074001	Right Lift Arm Assembly	1
15	5650740001	Plain Washer	2
16	5630070003	Nut	4
17	2827075001	Left Lift Arm Assembly	1
18	3131157001	Wire Holder	24
19	3553471001	Connecting Rod Spindle	2
20	5630022004	Hexagon Nut	4
21	5670561001	Split Pin	5
22	3707327001	Hanger Rod	1
23	3707365001	Left Supporting Plate	1
24	2827182001	Support Assembly	2
25	5640363001	Flange Bolt-Large Series	4
26	5620377003	Hexagon Socket Screw	9
27	3131053001	Fuse PCB Box	1
28	5610388001	Globular Socket Thread Forming S	32
29	5640373001	Hex Serrated Flange Screw	2
30	5620618001	Screw with Washer	12
31	4970355001	Fuse	4
32	2827461001	Base Assembly	1
33	5640355001	Flange Bolt-Large Series	4
34	3131055001	Wire Holder	3
35	3580076001	Rubber Sleeve	3
36	3707366001	Right Supporting Plate	1
37	3131403001	Base Foot	1
38	3131528001	Hook	6
39	2827261001	Left Handle Set	1
40	2827272001	Right Handle Set	1
41	5640222001	Hexagon Flange Bolt	6
42	3707328001	Depth Stop Plate	1
43	5640358001	Small Round Head Low Square Neck Bolt	8
44	3707339001	Baffle	1
45	2827464002	Footrest Pedal Assembly	1
46	3130955001	Upper Dust Cover	2
47	5650739001	Larger Washer	2
48	5700402001	Deep Groove Ball Bearing	4
49	5690493001	Seal Ring	2
50	2827052001	Front Wheel Bracket Assembly	2
51	5640356001	Hexagon Head Bolt	2
52	3130956001	Bearing Cover	4
53	2827184002	Front Wheel Set	2
54	3707333001	Fixing Board	2
55	3660808001	Compression Spring	2
56	2827147001	Damper	2
57	5640350001	Hexagon Head Bolt	4
58	2827083001	Connecting Rod Assembly	1
59	5670553001	Pin Shaft	2

60	5670563001	R Pin	3
61	2827086001	Rear Connecting Rod Set	2
62	3660793001	Tension Spring	2
63	5650016007	Plain Washer	8
64	2827185002	Rear Wheel Set	2
65	5630372001	Conical Nut	8
66	3131306001	Rear Hubcap	2
67	5640353001	Flange Bolt-Large Series	2
68	3707449001	Hitch	1
69	5620021004	Hexagon Socket Screw	4
70	5620453003	Tapping Screw	8
71	2827209001	Shock Absorber	1
72	3130957001	Rear Cover	1
73	3130950001	Lid Case	1
74	5640361001	3on Flange Head Thread Forming !	12
75	3707397001	Base	1
76	3707398001	Beam Bottom Support	1
77	5630244004	Nut	2
78	3403156001	Adjusting Handle	1
79	3131251001	Handle Cover	1
80	5610010003	Tapping Screw	2
81	5970136002	Grease	1
82	5680137001	Combination Wrench	2
83	5680145001	Hexagon Socket Screw Key	1
84	2823689001	Quick Connect Coupling	1
85	2827673001	Key Assembly	2
86	5690532001	Seal Ring	1
87	5650909001	Plain Washer	1
88	3708360001	Bracket	1
89	2827562002	Mulch Plug Assembly	1
201	2831223001	BMS Electric Assembly	1
202	2831222001	Control Electric Assembly	1
203	2827266001	Drive Train Assembly	1
204	2827267002	Control Assembly	1
205	2827044001	Front Frame Assembly	1
206	2827245002	Parking Assembly	1
207	2827360002	Deck Unit	1
208	2827406002	Left Cover Assembly	1
209	2827270002	Rear Guard Assembly	1
210	2827431002	Right Cover Assembly	1
211	2827269001	Damping Seat Assembly	1
212	2521079001	Accessory Box	1
214	2824471001	Lift Shaft Assembly	1

Product Description: Zero Turn Riding Mower
Model Number: ZT4200E-S
Body Number: 2827138002S02
Version: A
Issue Date: 2022/11/25

201



Product Description: Zero Turn Riding Mower

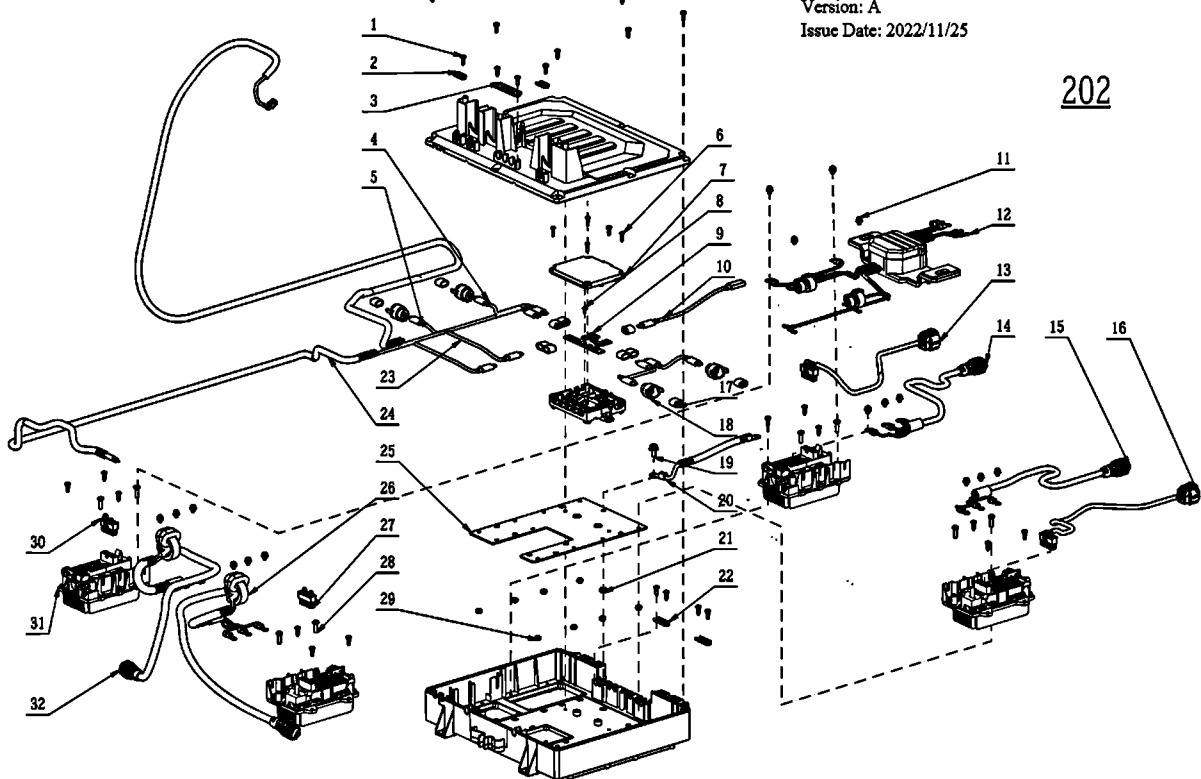
Model Number: ZT4200E-S

Body Number: 2829486001S01

Version: A

Issue Date: 2022/11/25

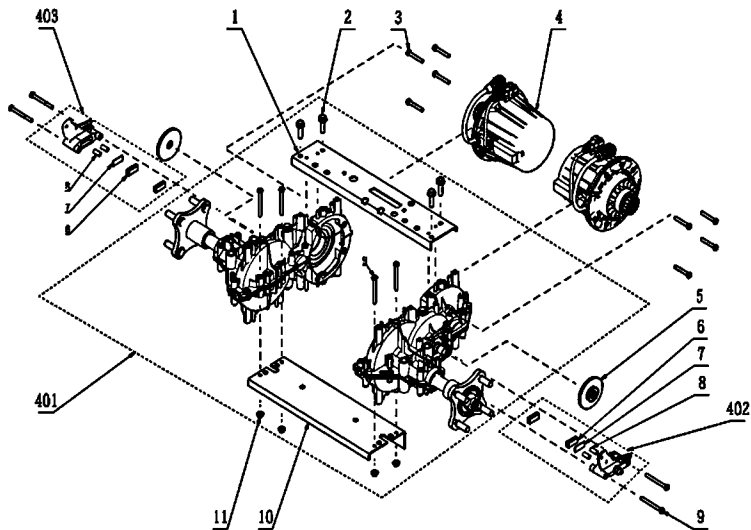
202



position	numb	material number	description	quantity
		ZT4201-S_004	Faisceaux Electrique	
1		5620377003	Hexagon Socket Screw	30
2		3700367001	Cord Anchorage	2
3		3708930001	Cord Anchorage	1
4		4860792004	Type-C Male-male Wire	3
5		4860792003	Type-C Male-male Wire	1
6		5610305002	Tapping Screw	4
7		3900369002	PCB Box	1
8		5610021001	Tapping Screw	1
9		4891968001	Connecting PCBA	1
10		4860791003	Type-C Male-female Wire	1
11		5620618001	Screw with Washer	16
12		2829641001	Magnet Ring Assembly	1
13		4860788001	Wire Harness	1
14		4861056001	Motor Wire Harness	1
15		4861056002	Motor Wire Harness	1
16		4860789001	Wire Harness	1
17		3580076001	Rubber Sleeve	11
18		3131055001	Wire Holder	4
19		5640373001	Hex Serrated Flange Screw	1
20		4860768002	Host Power Wire Harness	1
21		5630015001	Prevailing Torque Hexagon Nut	1
22		3707407001	Cord Anchorage	2
23		4861094001	Communication Wire Harness	1
24		4860797001	Type-C Male-male Wire	1
25		3707400001	Base Plate	1
26		4861140003	Motor Wire Harness	1
27		4860785001	Motor Wiring Harness	1
28		5620051009	Screw	8
29		5630006003	Prevailing Torque Hexagon Nut	8
30		4860786001	Motor Wiring Harness	1
31		2829376001	Control Electric Assembly	4
32		4861140001	Motor Wire Harness	1

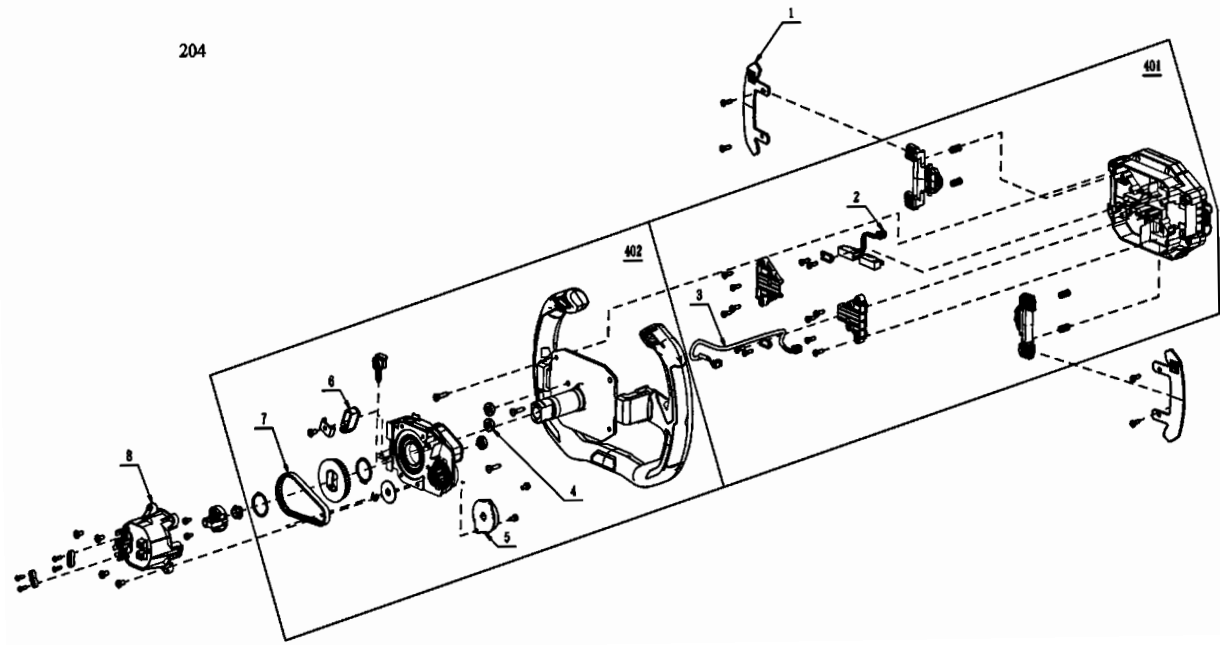
Product Description: Zero Turn Riding Mower
Model Number: ZT4200E-S
Body Number: 1000031001_S
Version: A
Issue Date: 2022/11/25

203



Product Description: Zero Turn Riding Mower
Model Number: ZT4200E-S
Body Number: 1000031001_S
Version: A
Issue Date: 2022/11/25

204



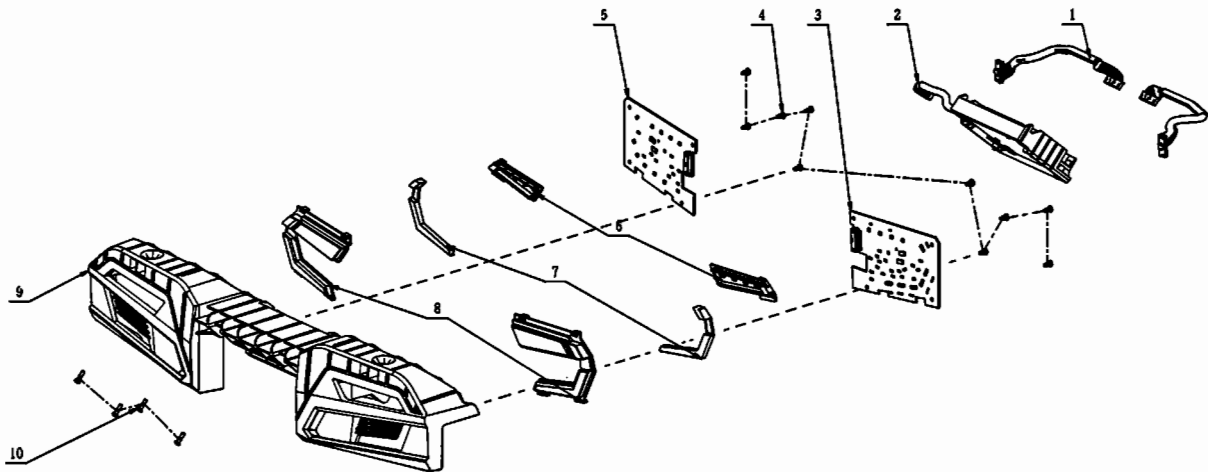
position numb material number description quantity

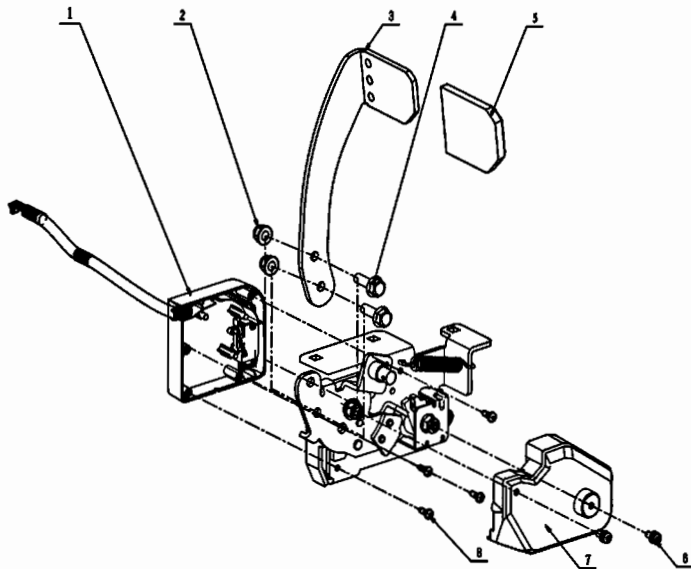
ZT4201-S_006 Moteurs Electriques

position numb	material number	description	quantity
1	3708720001	Switch-plate	2
2	4870949001	Switch Assembly	1
3	4861093001	Spring Wire	1
4	5610925001	agon Socket Rubber Head Cap Sc	3
5	2829161001	Damper	1
6	2829501001	Roller Assembly	1
7	3800215001	Timing Belt	1
8	2831381001	Angle Measuring Electric Assembl	1
401	2829534001	Control Assembly	1
402	2829590001	Belt Drive Assembly	1

Product Description: Zero Turn Riding Mower
Model Number: ZT4200E-S
Body Number: 2829473001S01
Version: A
Issue Date: 2022/11/25

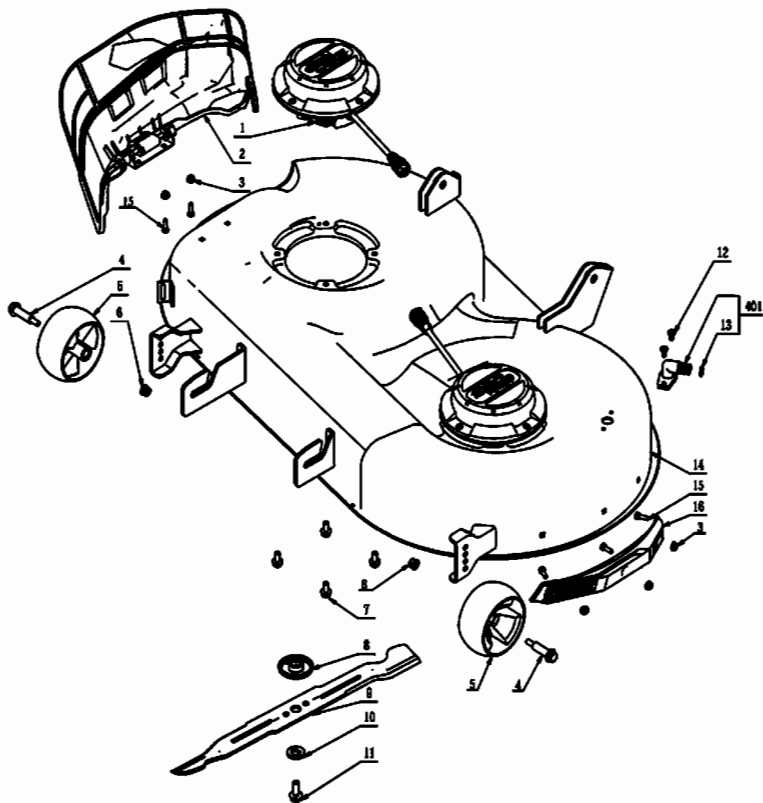
205

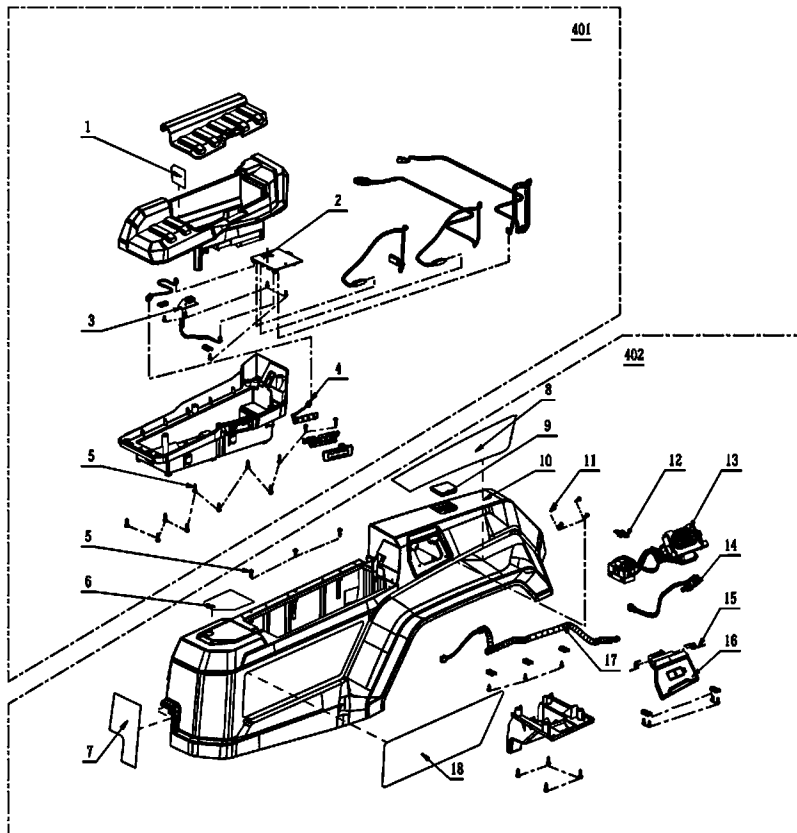




Product Description: Zero Turn Riding Mower
Model Number: ZT4200E-S
Body Number: 1000031001_S
Version: A
Issue Date: 2022/11/25

207





Product Description: Zero Turn Riding Mower

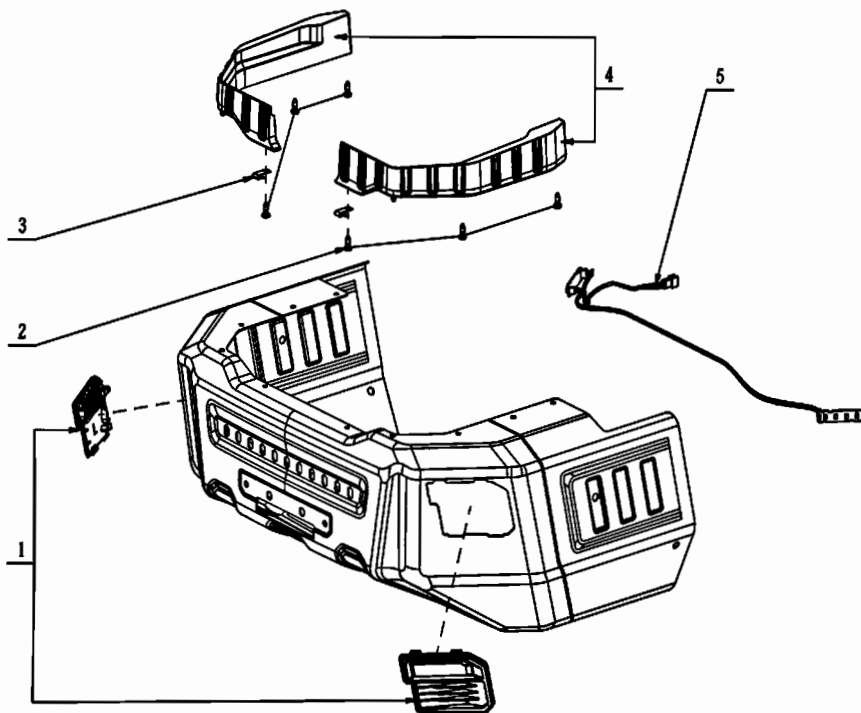
Model Number: ZT4200E-S

Body Number: 1000031001_S

Version: A

Issue Date: 2022/11/25

209



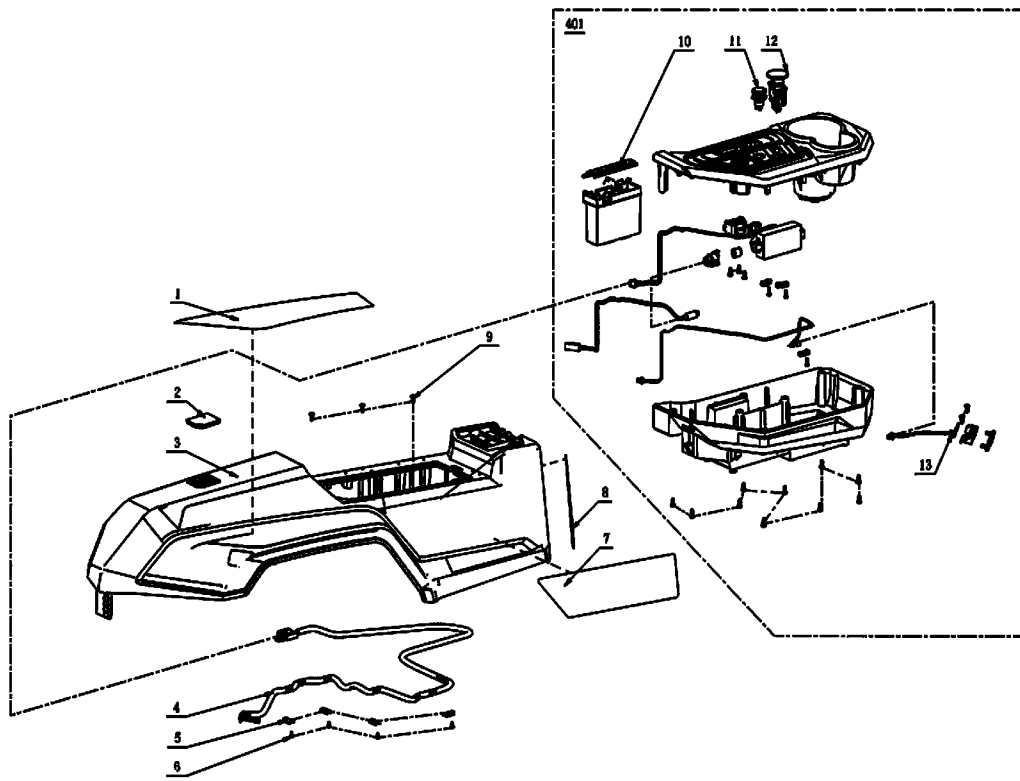
Product Description: Zero Turn Riding Mower

Model Number: ZT4200E-S

Body Number: 2829374001S01

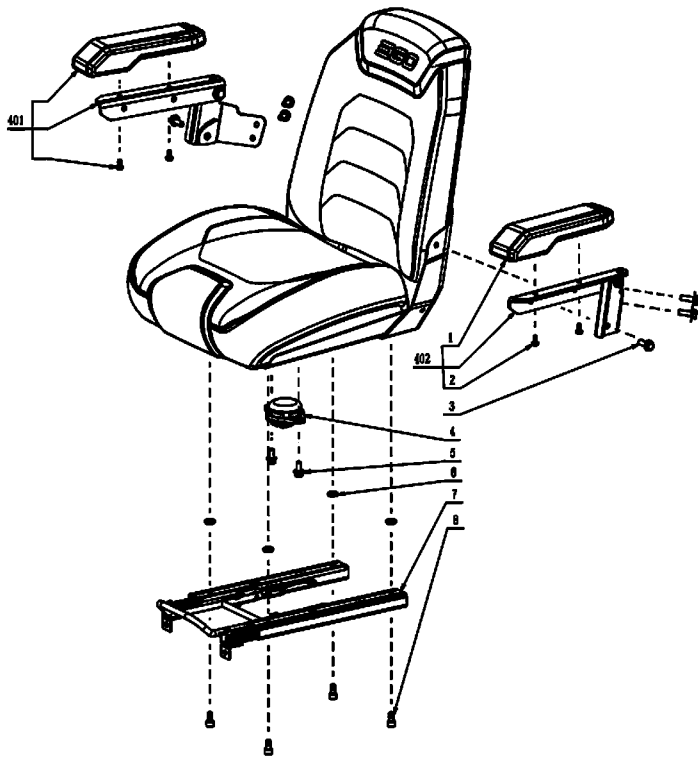
Version: A

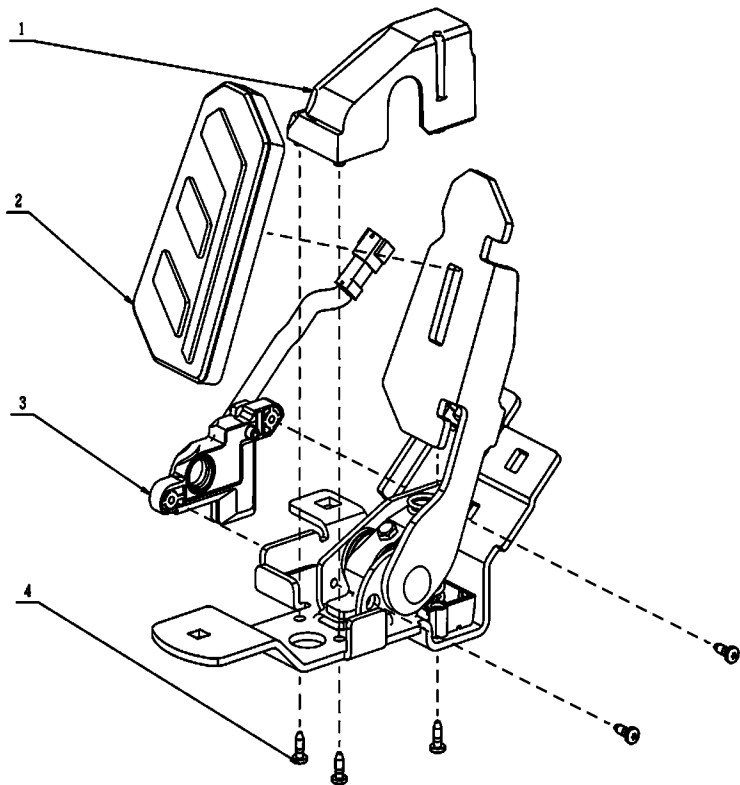
Issue Date: 2022/11/25

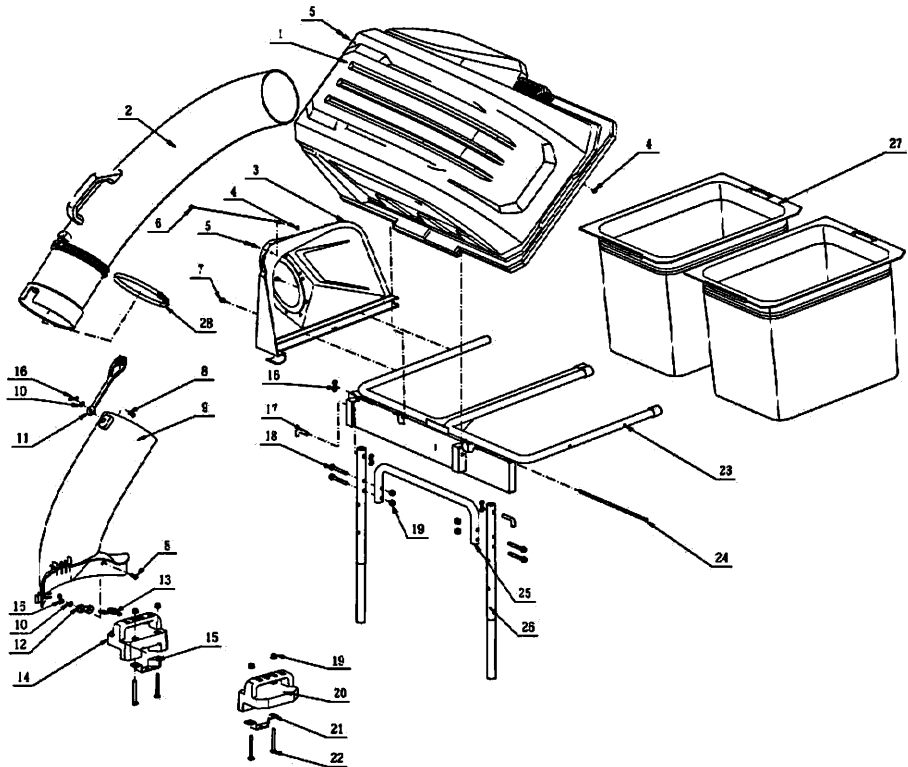


Product Description: Zero Turn Riding Mower
Model Number: ZT4200E-S
Body Number: 1000031001_S
Version: A
Issue Date: 2022/11/25

211







position numb material number description quantity

ABK4200_001 Vue Générale

position numb	material number	description	quantity
1	2828298001	Grass Basket Cover Assembly	1
2	2827722001	Blow Tube Assembly	1
3	2828300001	Rear Side Cover Assembly	1
4	5630008002	Nut	2
5	5620051006	Screw	2
6	3650153001	Bracing Wire	1
7	5610388001	Screw	2
8	5670565001	Pin Shaft	2
9	2827770001	Front Tube	1
10	5650025001	Plain Washer	2
11	3131263001	Buckle	1
12	3131264001	Connecting Sealing Strip	1
13	3650266001	Pothook	1
14	3422777001	Right Counter Weight	1
15	3707496001	Right Mounting Plate	1
16	5670563001	Cotter Pin	3
17	5670570001	Lock Pin	2
18	5640363001	Flange Bolt	4
19	5630371001	Lock Nut	8
20	3422778001	Left Counter Weight	1
21	3707495001	Left Mounting Plate	1
22	5640313001	Square Neck Bolt	4
23	2827324001	Bag Frame Assembly	1
24	5670580001	Pin Shaft	1
25	3707467001	Crossbar	1
26	3707466001	Tube	2
27	2827482001	Grass Catcher	2
28	3580333001	Hoop	1



ISEKI France S.A.S - ZAC des Ribes
27, avenue des frères Montgolfier - CS 20024
63178 Aubière Cedex
Tél. 04 73 91 93 51
E-mail : info@iseki.fr - www.iseki.fr