

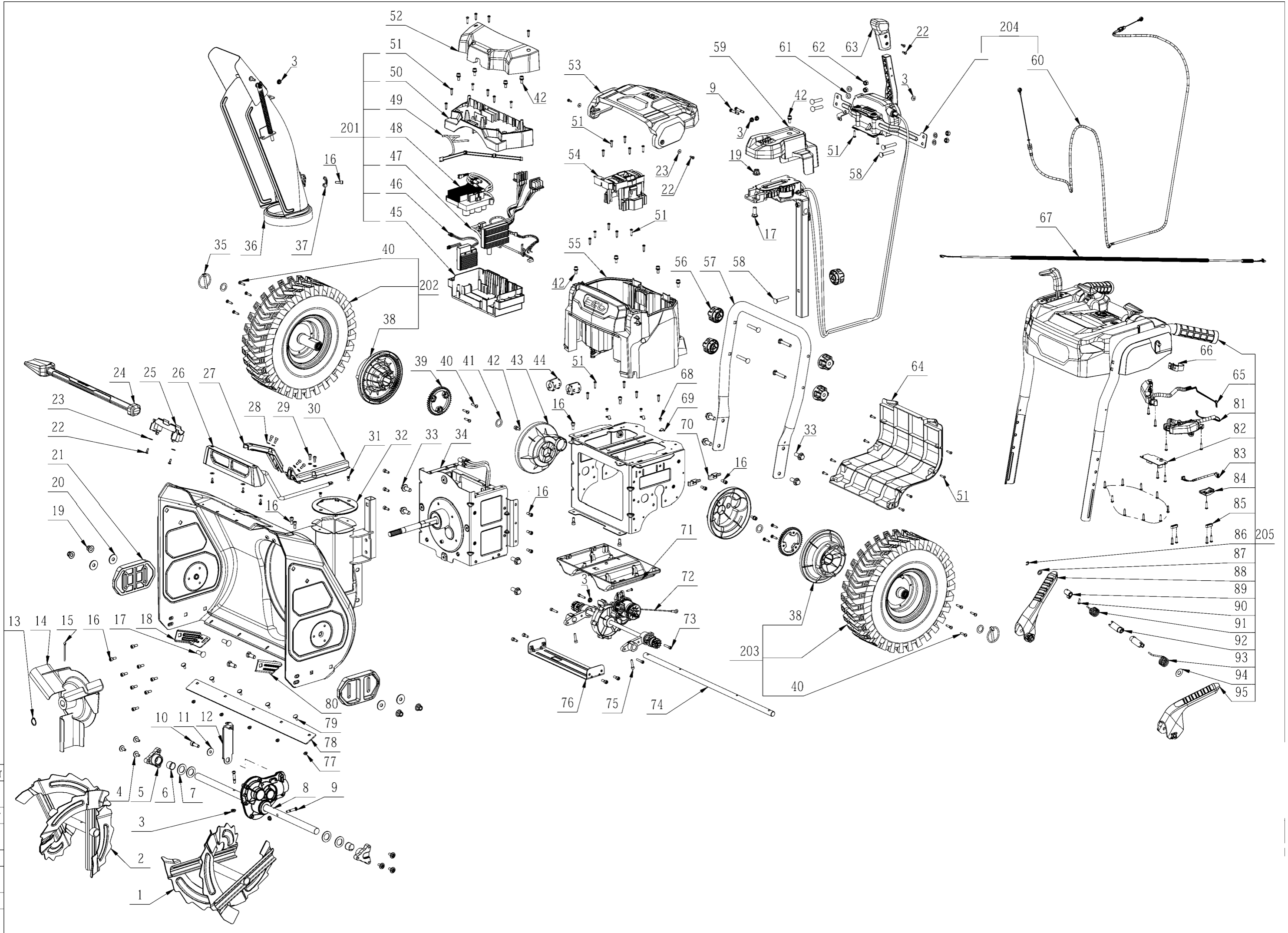


PIÈCES DÉTACHÉES

Chasse-neiges

SNT2401E





position number	material number	description	quantity
	SNT2400E_001	Vue Générale	
1	2826952001	Left Auger Assembly	1
2	2826951001	Right Auger Assembly	1
3	5630013003	Prevailing Torque Hexagon Nut	7
4	5620563002	Flange Bolt	6
5	3521228001	Pivot Shoe	2
6	3130764001	Plastic Sleeve	2
7	5650730001	Plain Washer	4
8	2790532001	Front Gear Case Assembly	1
9	5670548001	Pin	4
10	5620023004	Hexagon Socket Screw	1
11	5650024005	Plain Washer	1
12	3707183001	Support Plate	1
13	5660297001	Circlip For Shaft	1
14	2826953001	Impeller Assembly	1
15	5670545001	Split Pin	1
16	5620340004	Hexagon Socket Screw	27
17	5640334001	Square Neck Bolt	5
18	3707532001	Support Plate	1
19	5630267001	Nut	5
20	5650731001	Plain Washer	4
21	AKS2400D	Skid Shoe	2
22	5620377003	Hexagon Socket Screw	9
23	5650278002	Washer	7
24	ACT2400	Shovel	1
25	3130759001	Pivot Shoe	1
26	2827177002	LED Cover Assembly	1
27	3130761001	Front Waterproof Cover	1
28	5650011006	Plain Washer	6
29	5620018005	Hexagon Socket Screw	6
30	3130762001	Back Waterproof Cover	1
31	5620074009	Screw	2
32	3130763001	Plate	1
33	5640226003	Flange Bolt	8
34	2790552001	Motor And Gear Case Assembly	1
35	5670546001	Lock Pin	2
36	2827178002	Chute Assembly	1
37	3707212001	Mounting Plate	1
38	3570047001	Ring Gear	2
39	3570046001	Gear	2
40	5610224002	Hexagon Lobuar Screw	14
41	5650272002	Washer	4
42	5610371001	Screw and Washer Assembly	11
43	3130603001	Hubcap	2
44	3680311001	Magnet Ring	2
45	3130592001	Support	1
46	2830683001	Electric Assembly	1
47	2830682001	Electric Assembly	1
48	2830681001	Electric Assembly	1
49	4860615002	Internal Wire ASSY	1
50	3130591001	Cover	1.0
51	5620157006	Hexagon Socket Screw	57
52	3130590001	Wire Box	1
53	2827161001	Battery Cover Assembly	1
54	2824683002	Support ASSY	1
55	2827493001	Battery Box Assembly	1
56	3130766001	Knob	5
57	3707146001	Steel Tube	1
58	5640326001	Square Neck Bolt	9
59	3130657001	Top Cover	1
60	3650243001	Wire Rope	1

61	5650025001	Plain Washer	4
62	5630271001	Nut	4
63	3130647001	Upper Handle	1
64	3130602001	Rear Cover	1
65	2827195001	Right Lampshade Assembly	1
66	3130656001	Wire Holder	1
67	4860719002	Wiring Harness	1
68	5620037006	Screw	3
69	3707137001	Mounting Plate	3
70	3707119001	Support Plate	2
71	3130601001	Bottom Battery Cover	1
72	2827661001	Self-Propelled Unit	1
73	5620550002	Hexagon Socket Screw	4
74	3553381001	Shaft	1
75	5620216006	Hexagon Socket Screw	2
76	2826854001	Support Assembly	1
77	5630008002	Prevailing Torque Hexagon Nut	5
78	3707182001	Scraper	1
79	5640333001	Square Neck Bolt	5
80	3707533001	Support Plate	1
81	2827191001	Left Transparent Cap Assembly	1
82	4891881002	Switch PCBA	1
83	4860556002	Wiring Harness	1
84	3130655001	Cover	1
85	3120589002	Cord Anchorage	2
86	5660139002	E Ring	1
87	5650557002	Washer	1
88	3403122001	Right Control Handle	1
89	3580011001	Spindle Bush	1
90	5620511003	Hexagon Socket Screw	1
91	3660781001	Torsion Spring	1
92	3130650001	Switch Actuator	2
93	3660780001	Torsion Spring	1
94	5650214001	washer	1
95	3130665001	Left Control Handle	1
201	2830708002	Electric Assembly	1
202	2827164004	Wheel Assembly	1
203	2827163004	Wheel Assembly	1
204	2827193002	Adjusting Handle Set	1
205	2827408001	Handle Assembly	1



ISEKI France S.A.S - ZAC des Ribes
27, avenue des frères Montgolfier - CS 20024
63178 Aubière Cedex
Tél. 04 73 91 93 51 - Fax. 04 73 90 23 11
E-mail : info@iseki.fr - www.iseki.fr